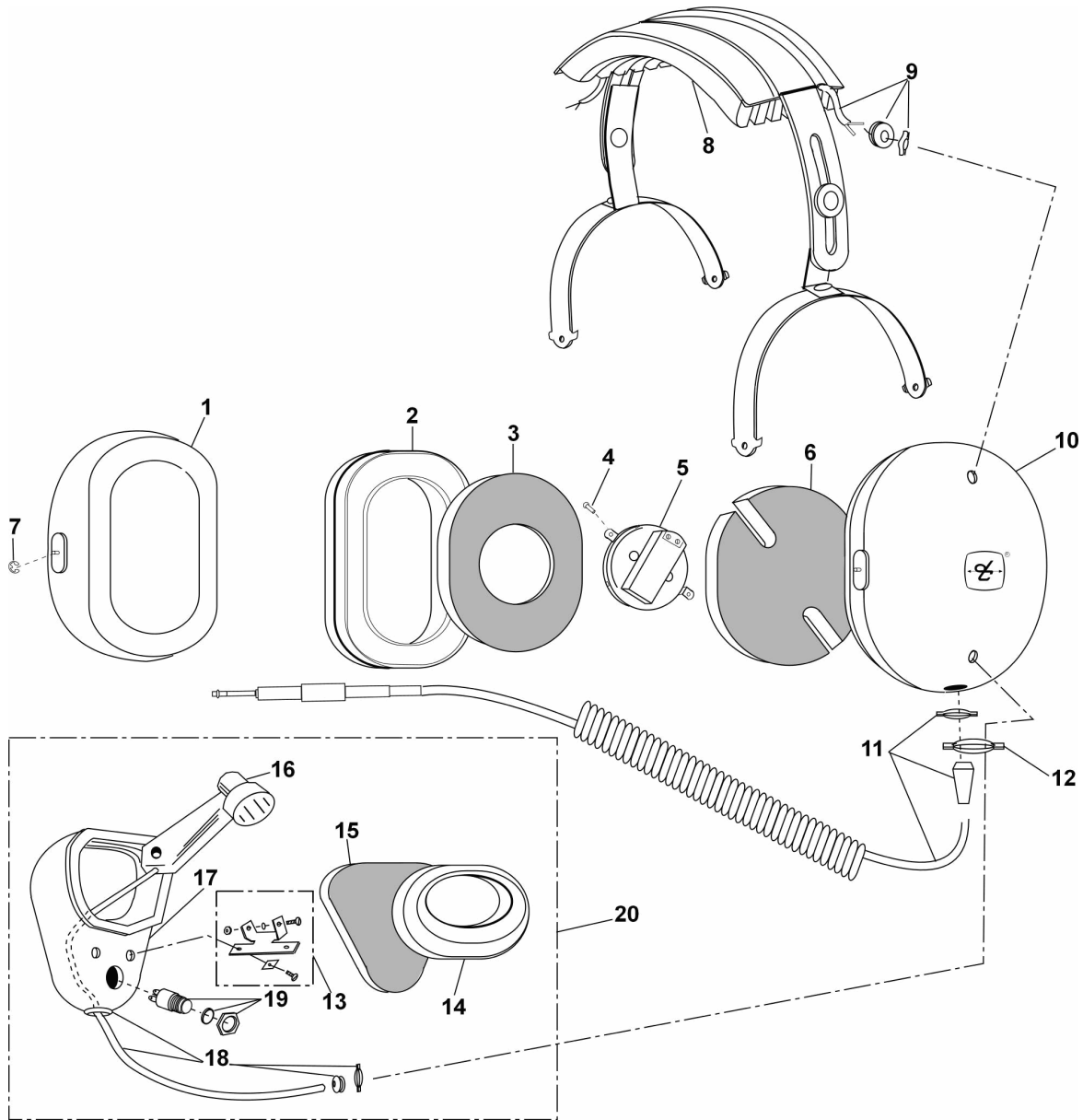


David Clark COMPANY INCORPORATED

360 Franklin Street, Box 15054, Worcester, MA 01615-0054
 TEL.: (508) 751-5800 E-Mail: sales@DavidClark.com FAX: (508) 753-5827

PARTS LIST P/N 12515G-15



No.	Description	Part No.
1	Dome, Right	11353P-24
2	Earseal (pair)	18316G-02
3	Dome Filter	25629P-03
4	Screw (10/pk)	13180P-03
5	Earphone Assembly	10376G-17
6	Dome Filter	26475P-02
7	Retaining Ring (10/pk)	00009M-03
8	Headband Assembly	12409G-26
9	Overhead Cord Assy Kit	22607G-01
10	Dome, Left	11353P-23

No.	Description	Part No.
11	Comm Cord Assembly Kit	18028G-50
12	Clamp (10/pk)	24433P-10
13	Microphone Bracket Assy Kit	18317G-01
14	Cushion, Mic Shield Assy	18417G-02
15	Mic Shield Filter	24653P-02
16	Microphone M-1/DC	12948G-08
17	Microphone Shield	11389P-14
18	Microphone Cord Assembly	18315G-02
19	Push-To-Talk Switch	26619P-18
20	Shield Assy with Microphone	18226G-01

ELECTRICAL SCHEMATIC
P/N 12515G-15

