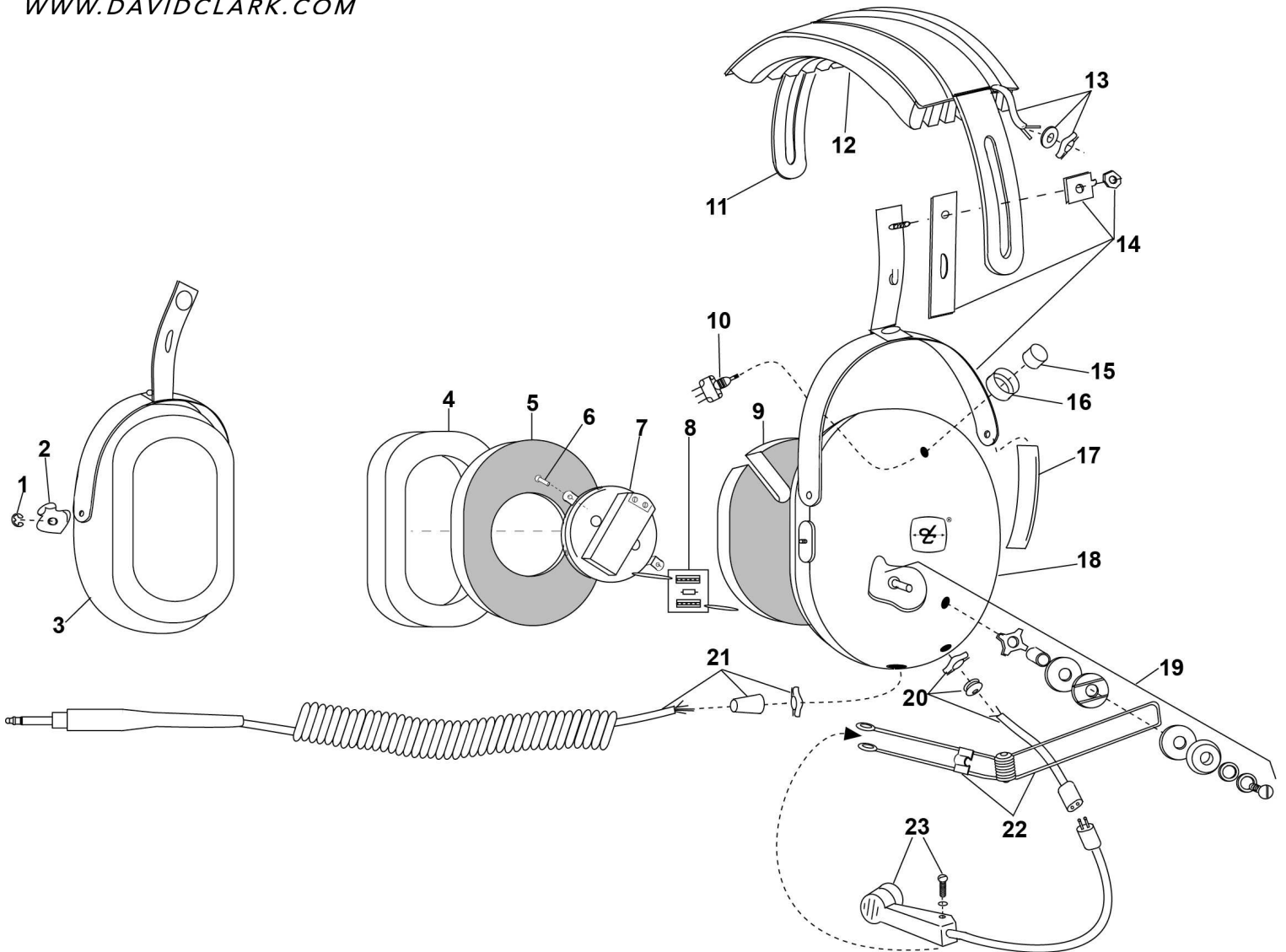


**PARTS LIST  
MODEL H3335**


No.	Description	Part No.
1	Retaining Ring (10/pk)	00009M-03
2	Dome Stop	15097P-01
3	Right Dome	11696P-12
4	Earseal (pair)	18316G-02
5	Dome Filter	25629P-03
6	Screws (4/pk)	13180P-03
7	Earphone Assembly	10376G-17
8	PCB Assembly	18289G-13
9	Dome Filter (1 each)	26475P-02
10	Push Button Switch	09851P-17
11	Headband Spring	25630P-01
12	Headpad Assembly	10133G-41

No.	Description	Part No.
13	Overhead Cord Kit	22607G-01
14	Stirrup Assembly	22378G-01
15	Switch Cap Kit	41090G-13
16	Switch Guard	13148P-01
17	Heat Shrinkable Tubing (10/pk)	18326G-01
18	Left Dome	11696P-28
19	Boom Guide Kit	12840G-01
20	Mic Jack Cord Kit	10405G-05
21	Comm Cord Kit	18028G-28
22	Microphone Boom Assy	12765G-04
23	M-1/DC Microphone	12948G-01

# ELECTRICAL SCHEMATIC MODEL H3335

